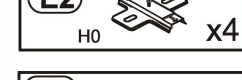
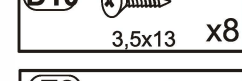
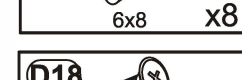
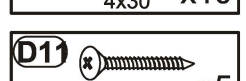
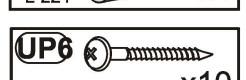
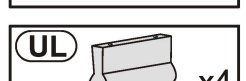
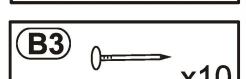
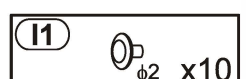
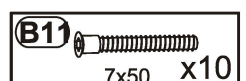
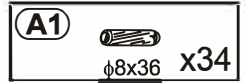
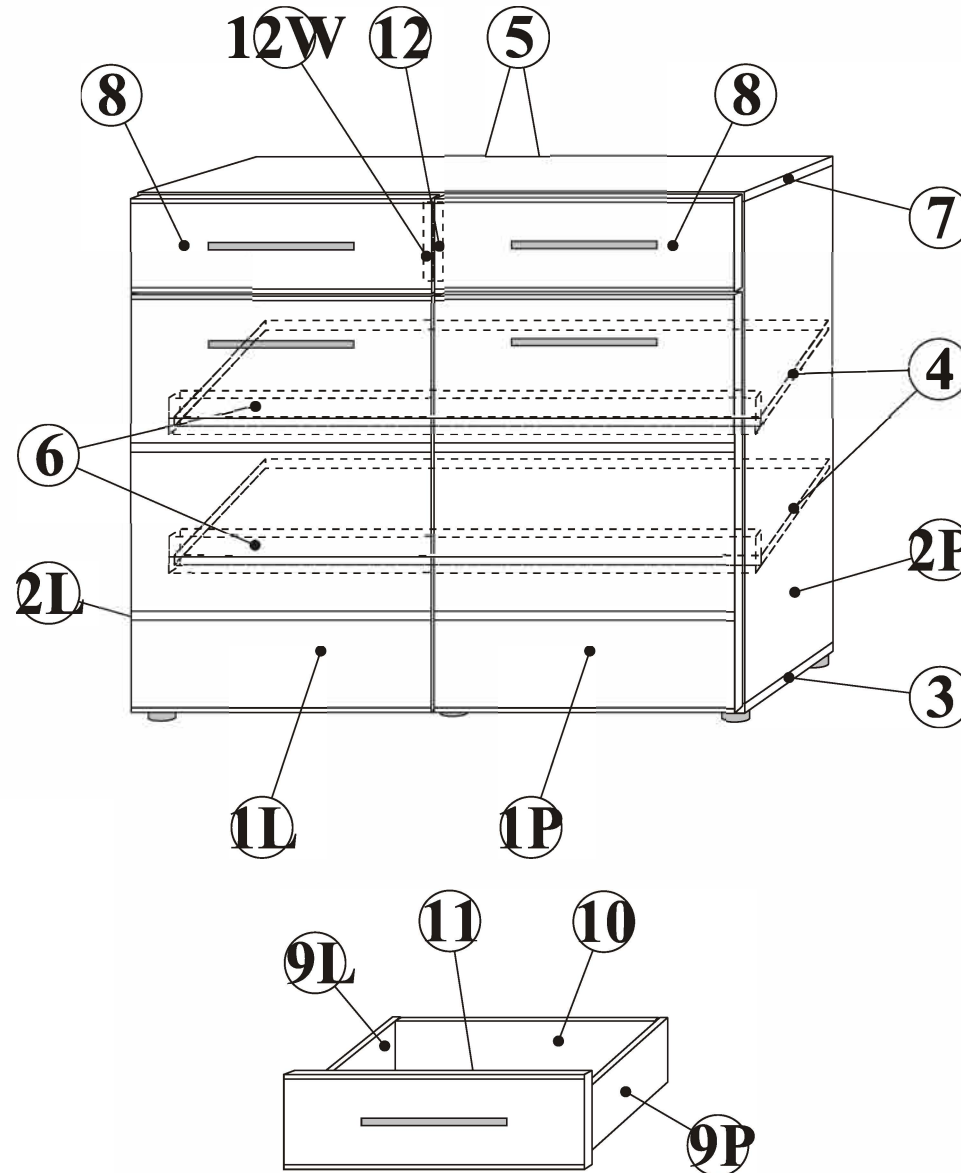
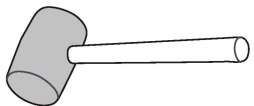
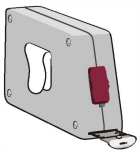
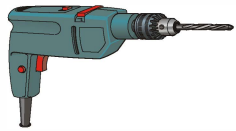
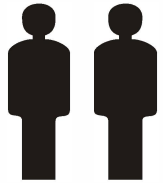
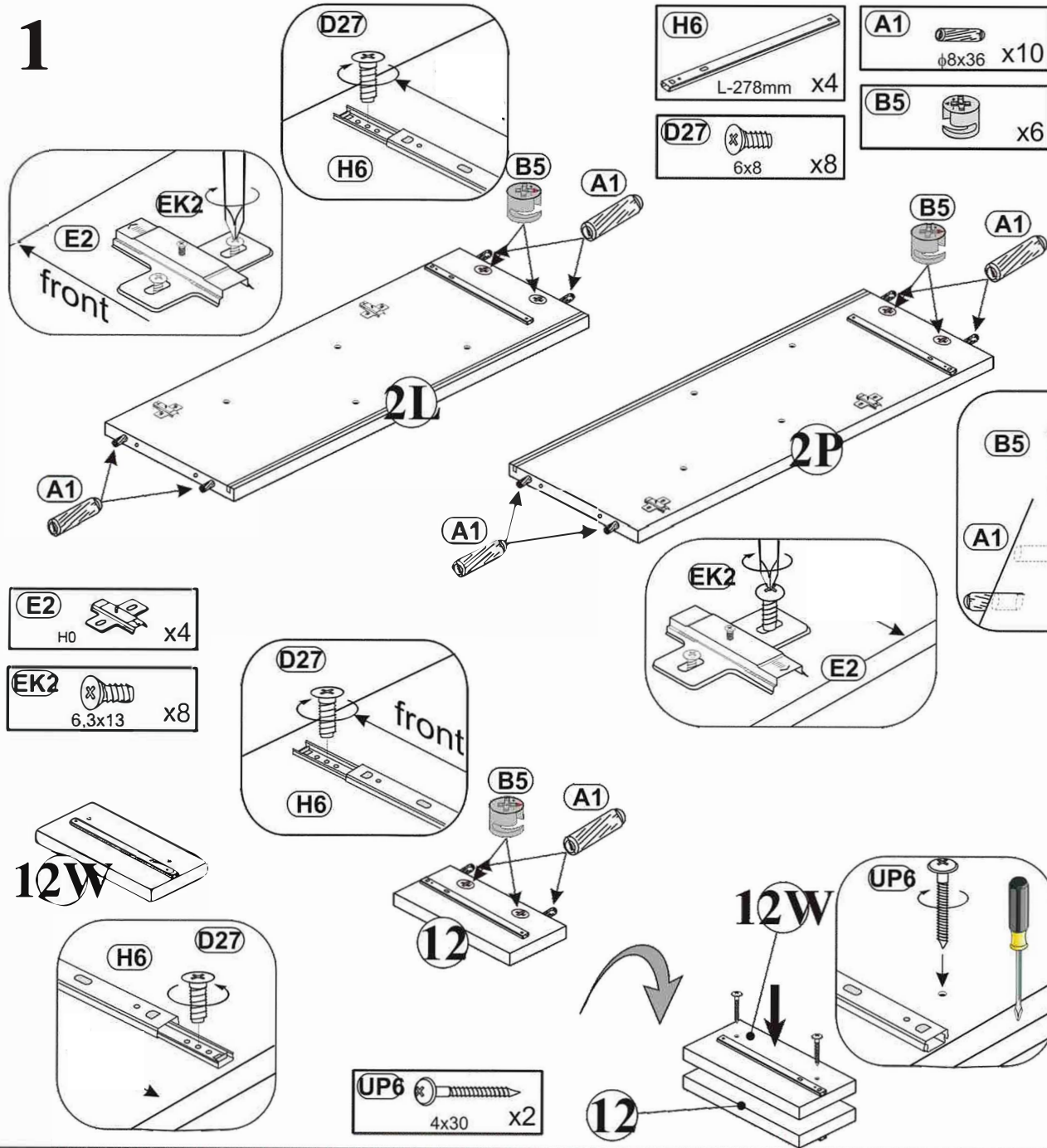


# DERBY

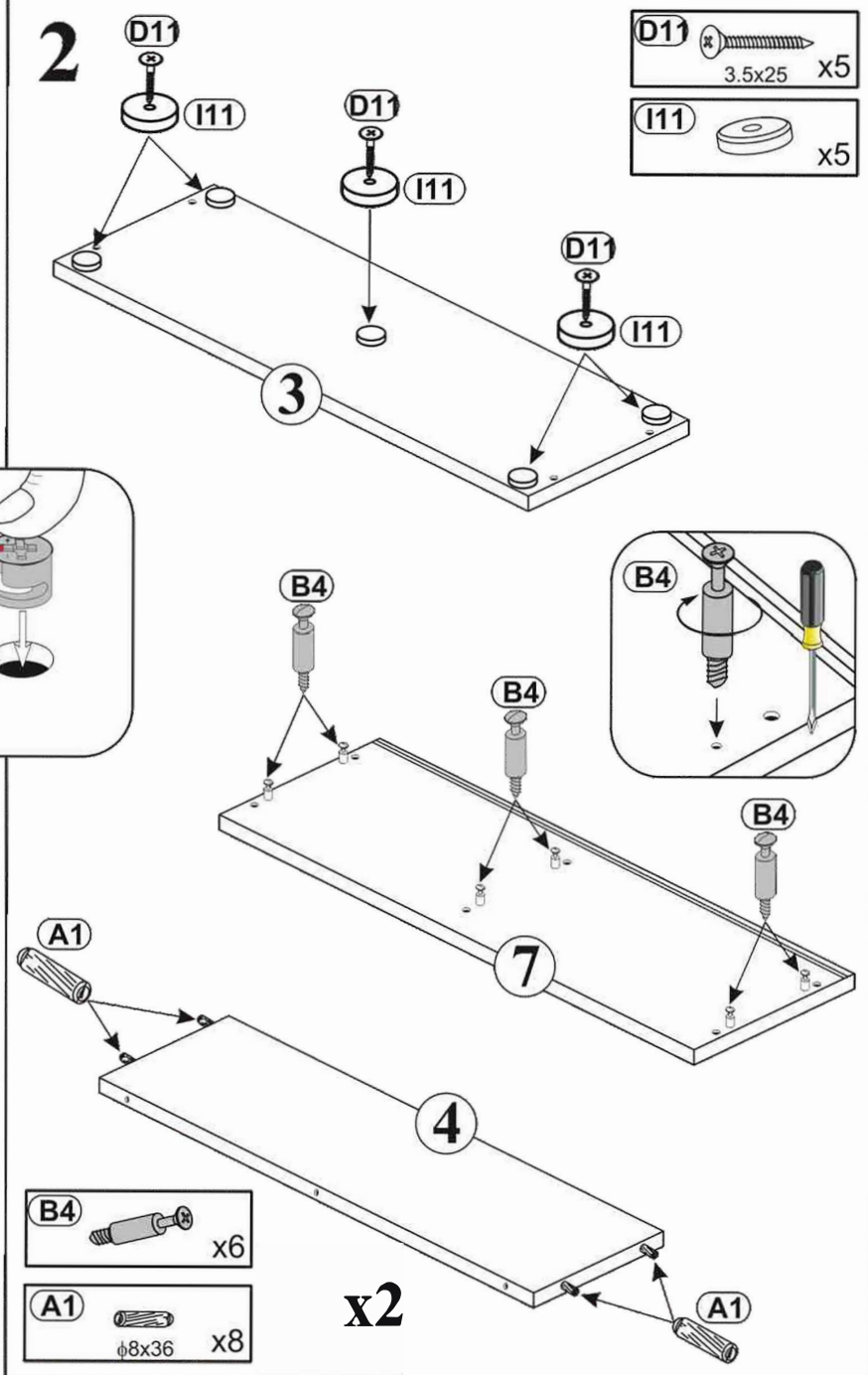
## 36-260



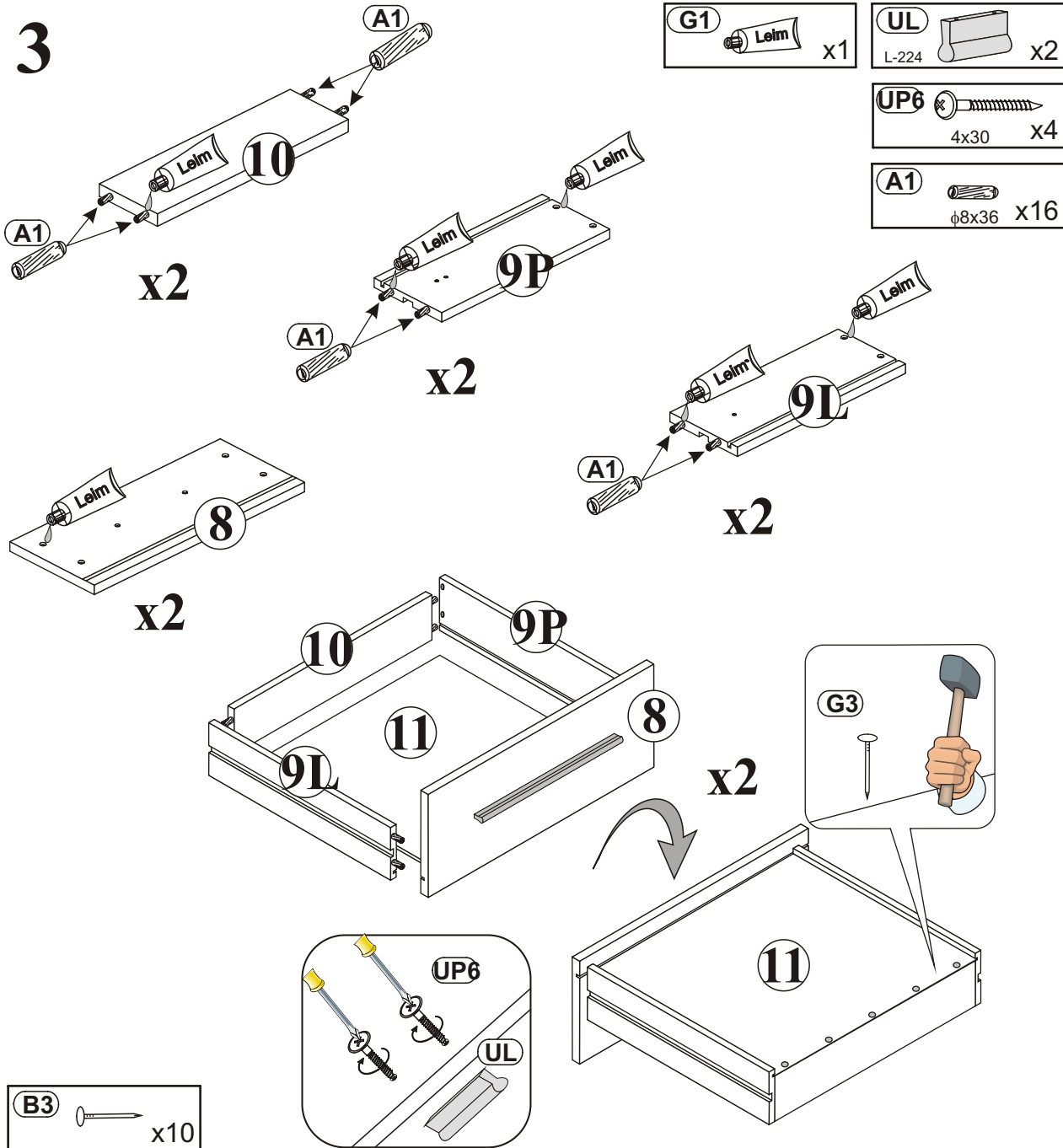
1



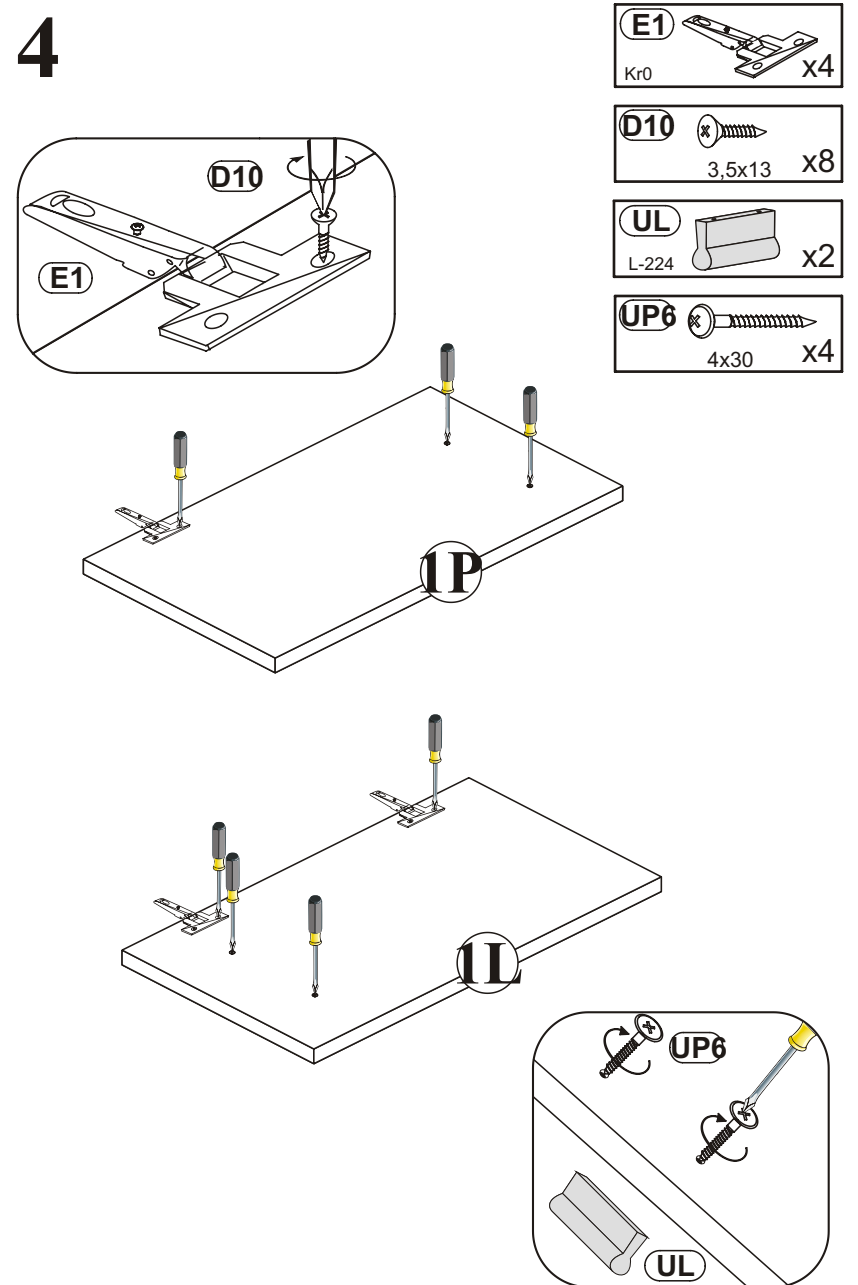
2



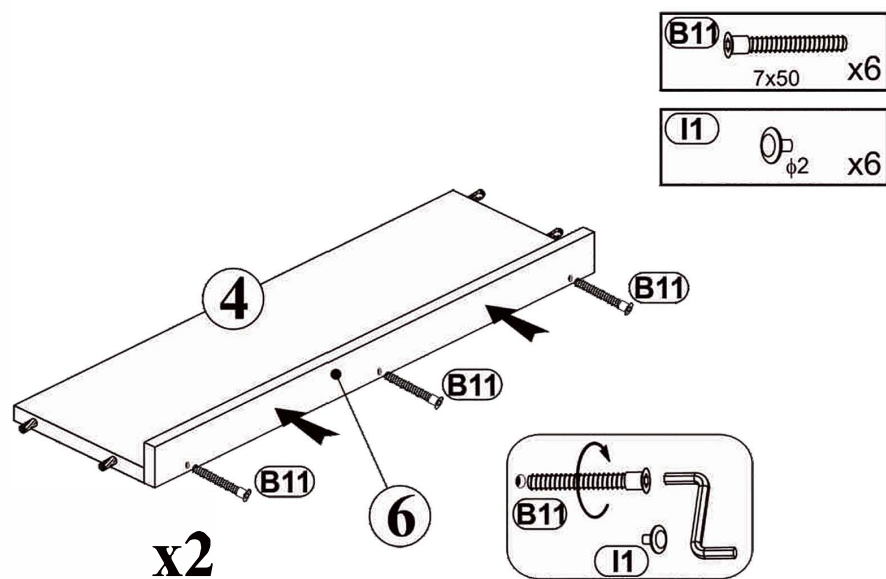
# 3



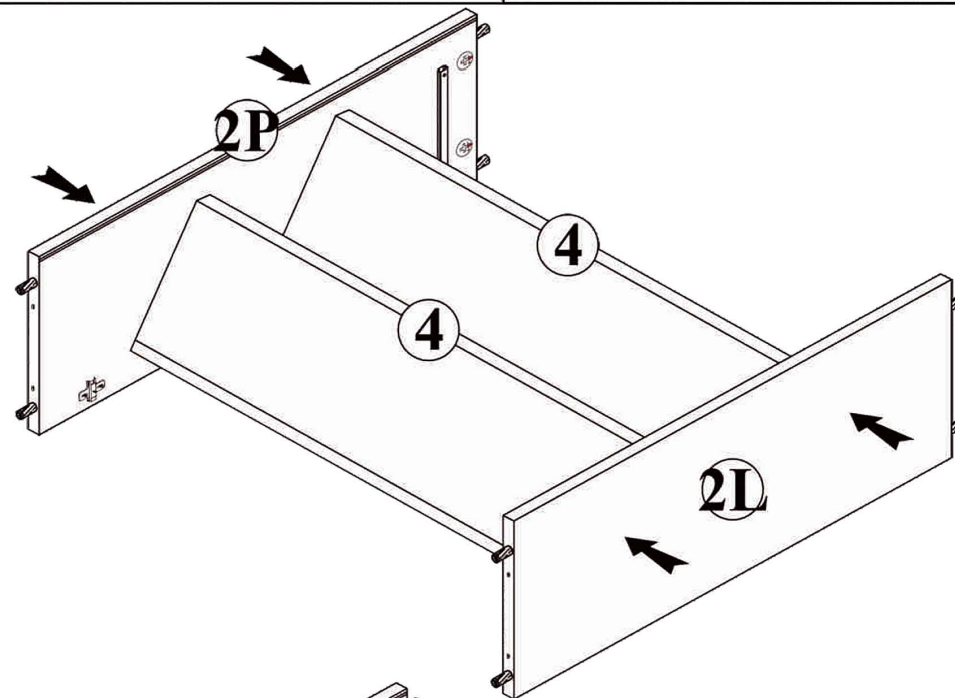
# 4



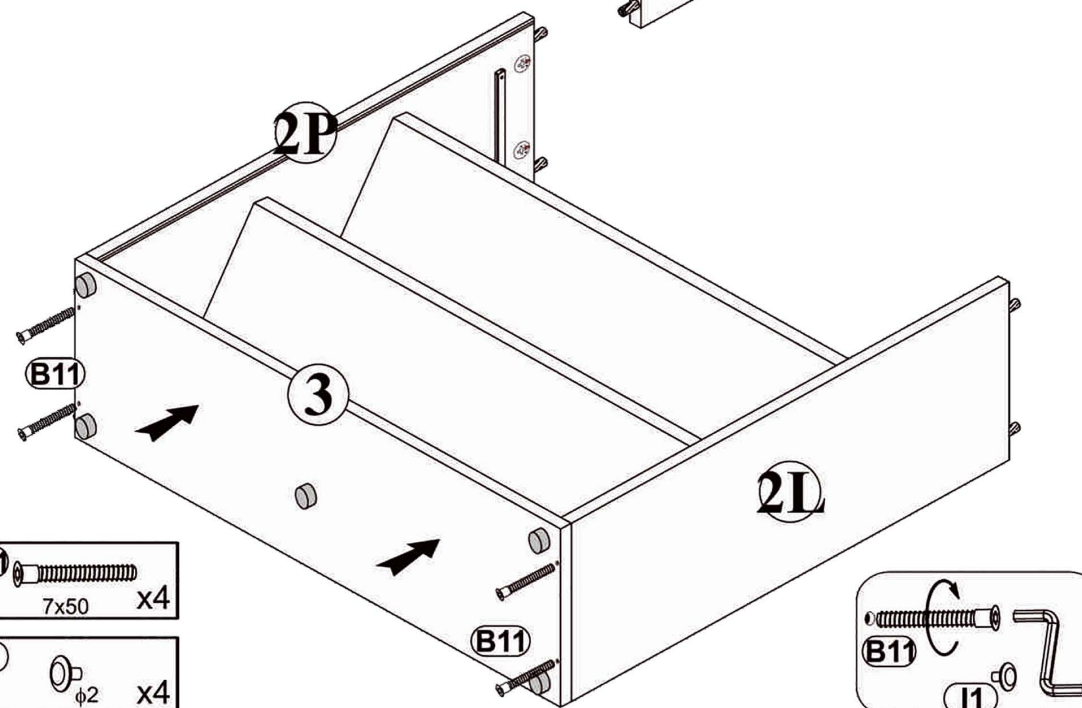
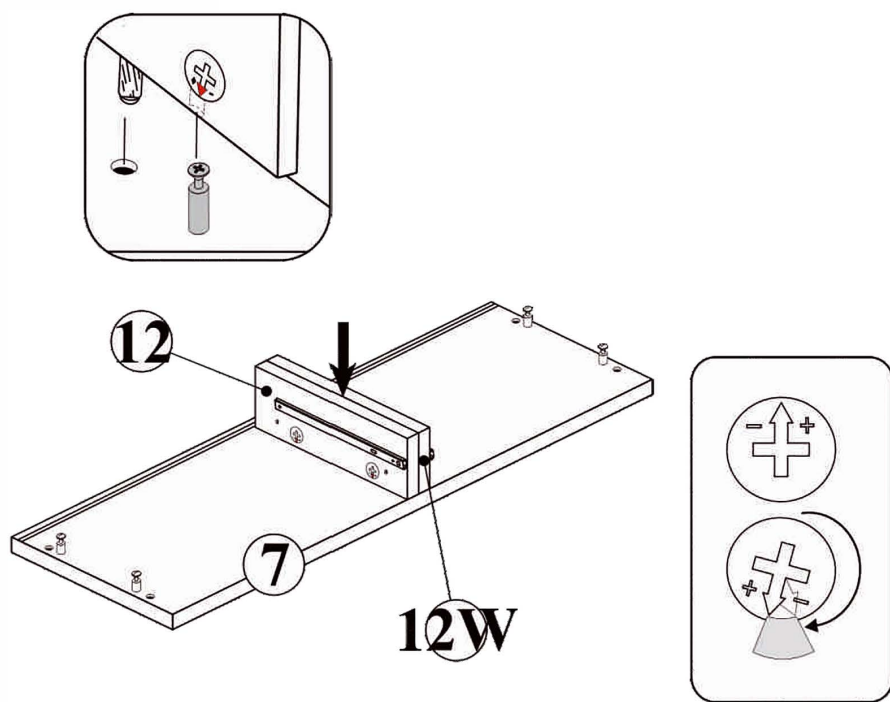
5



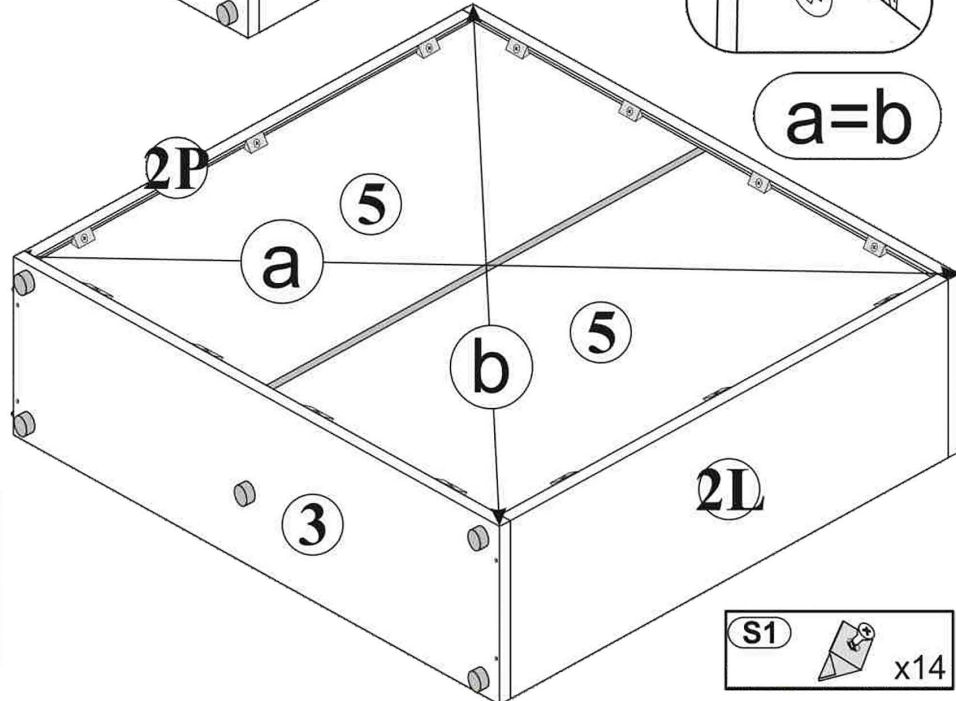
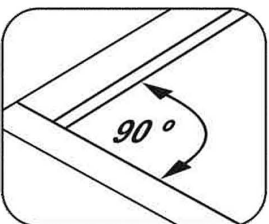
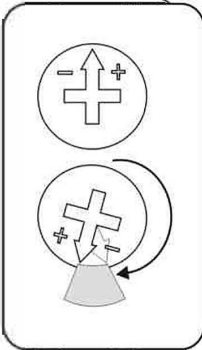
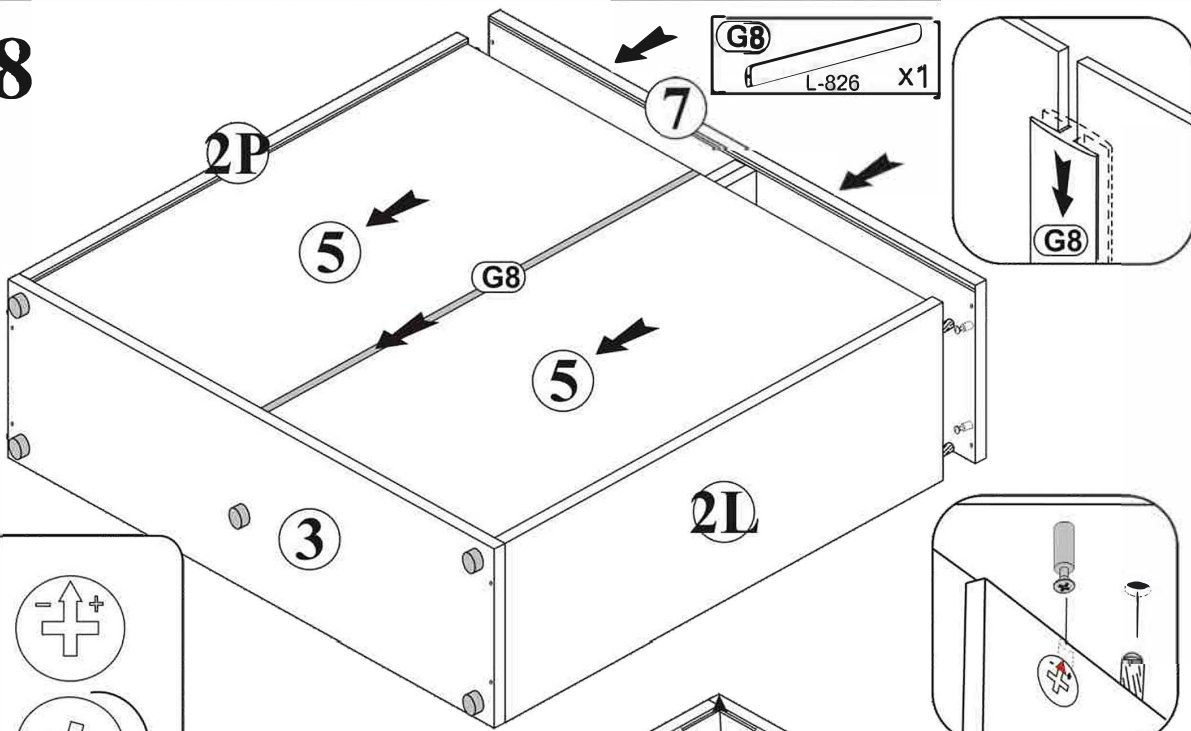
7



6



8



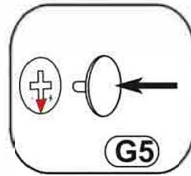
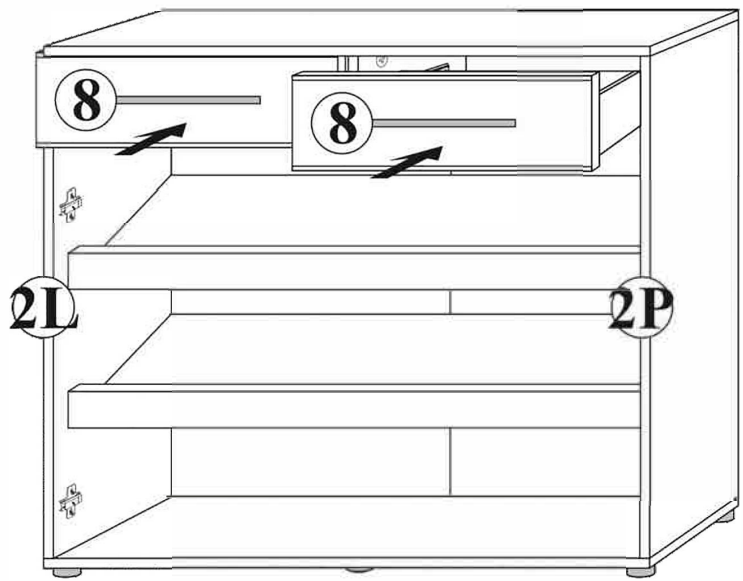
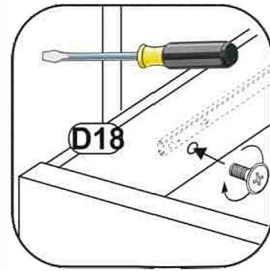
a=b

S1 x14

9

D18 M4x9mm x4

G5 #15 x6



# 10

